



Quality Cast Stone &
Concrete Products
From

**CD Brick
& Stone
Ltd**



At CD Stone we offer a comprehensive range of Cast Stone products either ex-stock or bespoke.

From our yard in Leigh CD Stone stock the largest range of Forticrete Heads, Cills, Quoins, Stick on Quoins, Bullseyes, Corbels, Gable Vents, Datestones, Copings, Pier Caps & Spheres in the North West and available through your local Builders Merchants.

Forticrete's range of Cast Stone is a perfect example of advanced technology and time honoured craftsmanship working together in perfect harmony. The result is a wide range of Cast Stone products using a semi-dry or wet format, of unrivalled quality with no compromise to aesthetic appeal. After demoulding, each product is hand finished by skilled craftsmen using traditional techniques.

This measure of craftsmanship ensures that each product has an authentic appearance and the sophistication of the manufacturing processes creates a product with all the weathering characteristics, durability and structural integrity of natural stone. Together they make an affordable alternative to natural stone dressings.

Stooled cills are built in at the time of construction. They should be bedded under the stooling only at the time of installation with an inert packer in the centre. The cill should be solidly pointed as the scaffold is taken down upon completion of the construction.



Cills are manufactured in accordance with BS 5642. Cills of greater length than those shown in the tables are available and are made in more than one piece.

Mortars

Mortar used for the installation of Cast Stone Dressings should not be stronger than Designation III (1:1:5/6).

CD Stone offer a large range of Copings, Pier Caps & Finials in a variety of sizes and colours and finishes to meet everyone's tastes.

At CD Stone we can now offer one of the most comprehensive ranges of Cast Stone Balustrades from the standard CD Stone & Forticrete ranges to the superior quality of the Richmond range, enabling us to supply to your specific requirements. Available in various colours, styles and sizes.



Colour

Cast Stone is a natural product and as such is susceptible to slight variances in colour. Common to all cement based products, there is a possibility of efflorescence. This is a temporary phenomenon which may cause a degree of lightening to the colour of the stone but it will not impair its performance in respect to its durability or strength. In due course, when subjected to normal weathering, the efflorescence will diminish and eventually disappear completely. Adequate protection during construction will minimise this effect.

Structural Properties

All cast stone units are decorative and are not designed to be load bearing. The structural stability of all units in their finished state should be approved by the structural engineer carrying out the overall design for the project. Wind loading on large window features, sections of stonework, supporting lintels and fixings to cast stone units should also be considered early in the design process. Site operatives must be made aware of the need to support and protect all cast stone units in their temporary state to negate the risk of any load being implied upon them whilst construction is taking place e.g. window heads.

Architectural Cast Stone Products

Cills



Code	A	B	C	D	E*	F	Kg Per LinM
T1-40	150	140	105	40	102.5/140	100	39

Stooled Cill

1 piece Stooled cills are built in at the time of construction. They should be bedded under the stooing only at the time of installation with an inert packer in the centre. The cill should be solidly pointed as the scaffold is taken down upon completion of the construction.

T1-40 Stooled Cills 140 x 150 x 105mm with 102.5mm stools

These are for standard items for non-standard sizes please ask about availability

Stock Sizes mm (brickwork opening / overall size) all over 1547 in 2 pieces

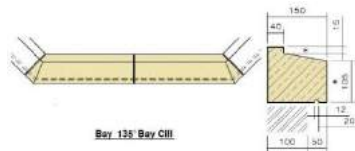
460 / 665	488 / 693	572 / 778	630 / 835	685 / 890	797 / 1003
915 / 1120	1022 / 1228	1135 / 1340	1200 / 1405	1248 / 1453	1342 / 1547
1360 / 1565	1472 / 1678	1585 / 1790	1770 / 1975	1810 / 2015	2035 / 2240
2260 / 2465	2339 / 2544	2600 / 2805	2889 / 3094		

Non-Stock Standards mm (1-4 weeks availability)

910 / 1115	1050 / 1255	1500 / 1705	1830 / 2035	1920 / 2125
------------	-------------	-------------	-------------	-------------

T11-40 Slip Cills 140 x 150mm

Stock Sizes mm



Code	A	B	C	D	E*	F	Kg Per LinM
T11-40	150	140	105	40			39

Slip Cill

1115	1500
45deg Corner 634mm	90deg Corner 260 x 260mm

Non-Stock Standards mm (1-4 weeks availability)

905	1190	1136	1332	1350
-----	------	------	------	------

Non-Standard Cills

Code	A	B	C	D	E*	F	Max Length	Kg Per LinM
BN1	150	140	65	65	102.5/140	100	1547	39
T2	150	65	40	65	102.5/140	100	1000	17
T3	200	140	105	65	102.5/140	150	1547	53
T4.40f	175	140	105	40	102.5/140	125	1547	46

Stooled Cill

BN1

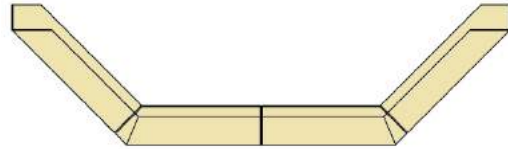
Code	A	B	C	D	E*	F	G	Max Length	Kg Per LinM
ST6	215	140	105	65	102.5/140	165	18	1547	56
ST7	215	65	40	65	102.5/140	165	18	1000	24
ST8	245	140	105	65	102.5/140	195	18	1547	63

Chamfered Stooled Cill
(Designed to close cavity)

T11-40 Slip Cill Bay

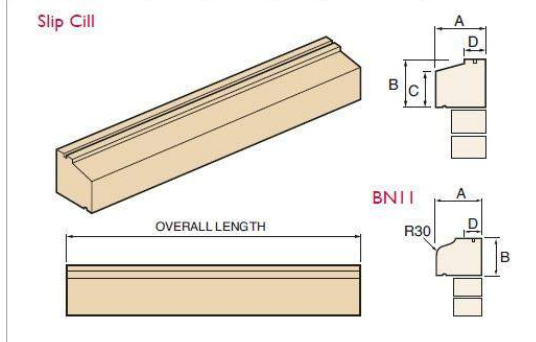
Non-Stock Standards mm (1-4 weeks availability)

Brickwork left / middle / right 135deg ext ret

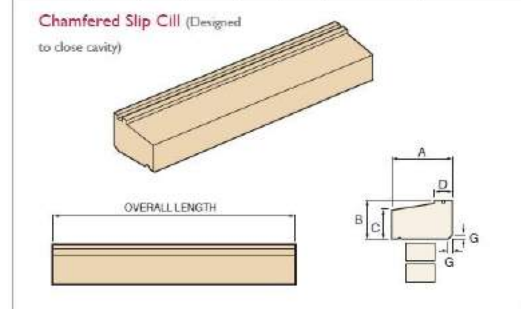


2633 o/a	2449 o/a	2314 o/a
735 / 980 / 735	735 / 1144 / 735	735 / 1009 / 735
2285 o/a	2101 o/a	1966 o/a
561 / 982 / 561	561 / 1144 / 561	561 / 1009 / 561

Code	A	B	C	D	Max Length	Kg Per Lin/M
BN11	150	140	-	65	1547	39
T12	150	65	40	65	1000	17



Code	A	B	C	D	E	Max Length	Kg Per Lin/M
SC10	215	140	105	65	18	1547	55
SC11	215	65	40	65	18	1000	22
SC12†	245	140	105	65	18	1547	62



T4-40 Stooled Render Cills

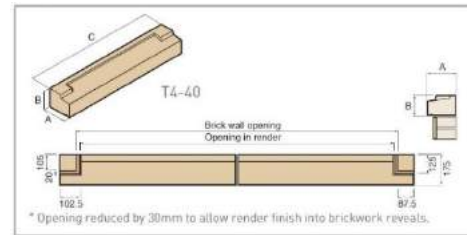
175 x 140mm

Non-Stock Standards mm

(1-4 weeks availability)

Over 1423mm in 2 pieces

Brickwork Opening / Render Opening / Overall



Code	A	B	C	D	E*	F	Max Length	Kg Per Lin/M
T4-40†	175	140	105	40	102.5/140	125	1547	46

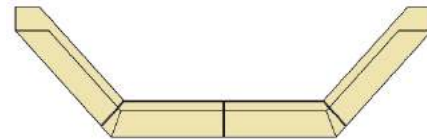
488 / 458 / 663	630 / 600 / 805	685 / 655 / 860	915 / 885 / 1090
1023 / 993 / 1198	1097 / 1067 / 1272	1200 / 1170 / 1375	1248 / 1218 / 1423
1400 / 1370 / 1675	1772 / 1742 / 1945	1810 / 1780 / 1985	1830 / 1800 / 2005

T14-40 Slip Cill Bay for Render

Non-Stock Standards mm (1-4 weeks availability)

left / middle / right 135deg ext ret

Brickwork left / middle / right 135deg ext ret



2668 o/a	2484 o/a	2349 o/a
735 / 980 / 735	735 / 1144 / 735	735 / 1009 / 735
2320 o/a	2136 o/a	2001 o/a
561 / 980 / 561	561 / 1144 / 561	561 / 1009 / 561

TC1 Traditional Stooled Cill 140 x 150mm



488/693	630/835	915/1120	1200/1405
1342/1547	1770/1975	2339/2544	

Heads

DH140 Heads 140 x 100 Decorative Plain Heads mm

Stock Sizes

985mm	1120mm
1269mm	1405mm
1547mm	1975mm*
2245mm*	2544mm*
2815mm*	3099mm*

Non-Stock sizes

693mm	835mm
1000mm	1150mm
1228mm	1453mm
2005mm	2305mm



Code	A	B	Max Length	Kg Per Lin/M
DH140	100	140	1547	29
DH215	100	215	2500	46

Rectangular Head

DH215 Heads 215 x 100 Decorative Plain Heads mm

Stock Sizes

693	835	985	1000	1120	1150
1269	1391*	1405	1547	1675*	1975*
2015*	2245*	2305*	2544*	2815*	3099*

Non-Standard Heads

DH3 Chamfered Head 140 x 100mm

Non-Stock Standards mm (1-4 weeks availability)

488 / 693	630 / 835	685 / 890	915 / 1120	1200 / 1405	1248 / 1453
1342 / 1547	1770 / 1975	1800 / 2005	1810 / 2015	2100 / 2301	2339 / 2544

Code	A	B	C	D	Max Length	Kg Per Lin/M
DH3	100	140	102.5/140	18	1547	29
DH4	100	215	102.5/140	18	1547	46

Chamfered Head

DH4 Chamfered Head 215 x 100mm

Non-Stock Standards mm (1-4 weeks availability)

488 / 693	630 / 835	685 / 890	915 / 1120	1200 / 1405	1248 / 1453
1342 / 1547	1770 / 1975	1800 / 2005	1810 / 2015	2100 / 2301	2339 / 2544

DH10 Splayed Heads 140 x 100mm

Non-Stock Standards mm (1-4 weeks availability)

488	630	685	915	1200	1248
1342	1769	1800	1810	2100	2339

Code	A	B	C	Max Length	Kg Per Lin/M
DH11	100	215	58	1547	45
DH10	100	140	46	1547	29

Splayed Head



DH11 Splayed Heads 215 x 100mm

Non-Stock Standards mm (1-4 weeks availability)

630	1248	1800	1810	2100
------------	-------------	-------------	-------------	-------------

Clip Over Keystones

Stock Item

K1 for 140mm Heads

K2 for 215mm Heads

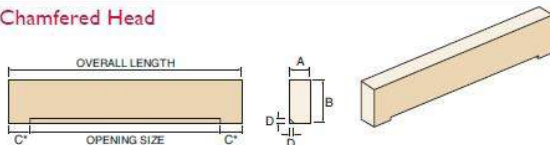
CK2 for 215mm Heads

Code	A	B	C	D	E	F	Weight (Kg)
K1	265	215	165	150	65	18	9
K2	305	290	165	150	65	18	13
CK2	305	290	165	150	65	23	15

Cosmetic Keystone K1/2/3

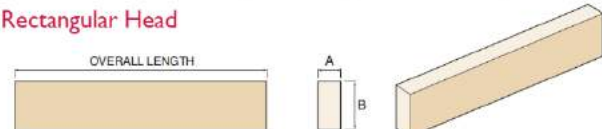
Code	A	B	C	D	Max Length	Kg Per Lin/M
DH3	100	140	102.5/140	18	1547	29
DH4	100	215	102.5/140	18	2500	46
DH6	100	290	102.5/140	-	2500	61

Chamfered Head



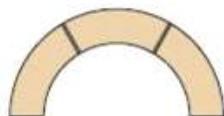
Code	A	B	Max Length	Kg Per Lin/M
DH140	100	140	1547	29
DH215	100	215	2500	46
DH5	100	290	2500	61

Rectangular Head



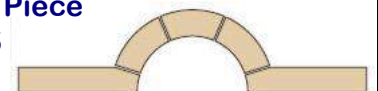
AH1 Arch Surround 3 piece
915mm Int Dia 215 x 100

AH2 Arch Surround 3 Piece
1200mm Int Dia 215 x 100



AH3 Arch Surround 5 Piece
2950 / 915 x 100 x 215

AH4 Arch Surround 5 Piece
3805 / 1200 x 100 x 215



Code	A	B	C	D	E	Weight (Kg)
Q11	118	215	348	233	100	24

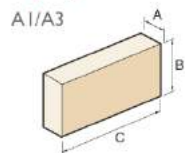
Chamfered Quoins



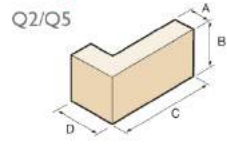
Non-Stock Standards mm (1-4 weeks)

Code	A	B	C	D	Weight (Kg)
A1	100	215	440	-	20
A3	150	215	440	-	30
A5	100	140	440	-	13
Q2	100	215	330	215	20
Q5	100	215	440	215	25

Regency® Ashlar



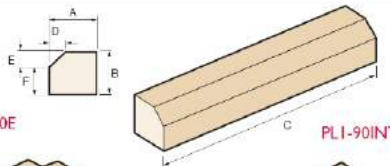
Plain Quoins



Plinths

Code	A	B	C	D	L	I	Weight (Kg)
PL1	150	140	890	50	50	90	37
PL1-90E	150	140	215	50	50	90	12
PL1-90INT	150	140	215	50	50	90	12

PL1



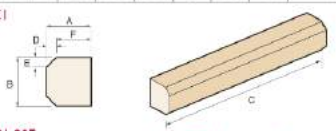
PL1-90E



String Course

Code	A	B	C	D	F	I	Weight (Kg)
SC1	130	140	890	30	30	100	32
SC1-90E	130	140	215	30	30	100	13
SC1-90INT	130	140	315	30	30	100	17

SC1



SC1-90E



SC1-90INT



Stock Items

PL1 Plinth	SC1 String Course	SC3 String Course
	SC7 String Course	

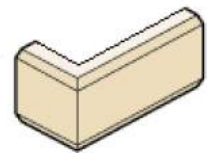
Ashlar & Quoins

Stock Items

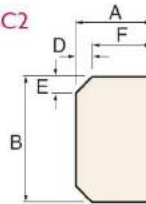
A1 Plain Ashlar Blocks
Q2 Plain Quoins
Q11 Chamfered Quoins
Q60 Stick on Quoins

A3 Ashlar Blocks
A5 Ashlar Blocks
Q5 Plain Quoins

**Q60 Stick on /
Renovation Quoins
330/215 x 215 x 50mm**

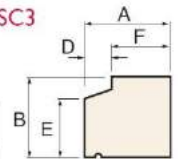


SC2



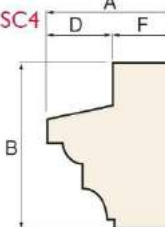
Code	A	B	C	D	E	F	Weight (Kg)
SC2	130	215	440	30	30	100	25

SC3



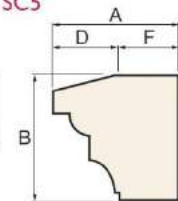
Code	A	B	C	D	E	F	Weight (Kg)
SC3	150	140	890	50	105	100	37

SC4



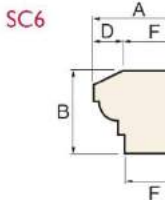
Code	A	B	C	D	F	Weight (Kg)
SC4	217	290	440	115	102	39

SC5



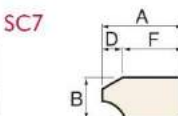
Code	A	B	C	D	F	Weight (Kg)
SC5	217	215	440	115	102	32

SC6



Code	A	B	C	D	F	Weight (Kg)
SC6	157	140	890	55	102	34

SC7



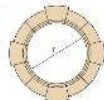
Code	A	B	C	D	F	Weight (Kg)
SC7	140	70	890	40	100	16

Code	A	B	C	D	F	Weight (Kg)	
BU1	140	140	105	75	600	90	
BU2	140	140	135	75	30	600	96
BU3	100		215		91.5		158
BU1	100		215		1200		198

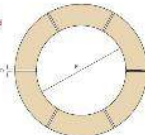
Bullseye Window Surround



Bullseye Window Surround with Keystone



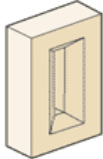
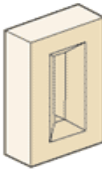
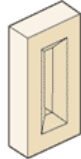
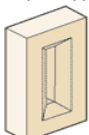
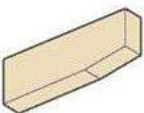
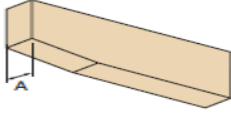
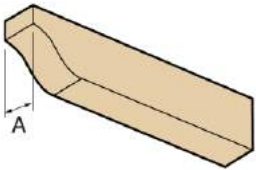
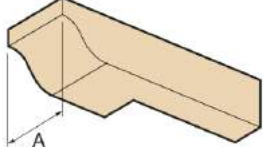
Plain Bullseye Window Surround


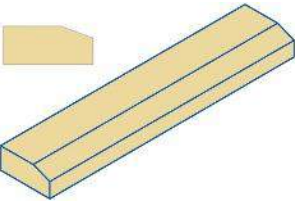



Stock Items

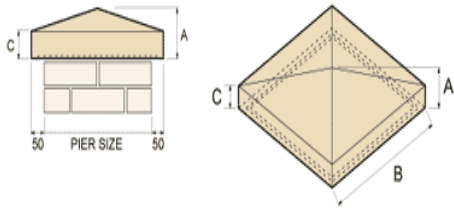
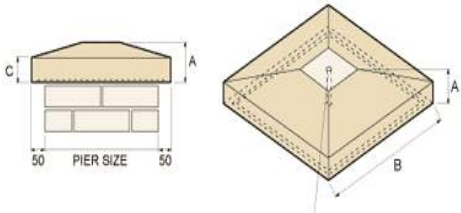
BN1 Plain Bullseye 600mm

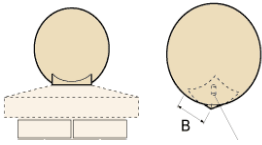
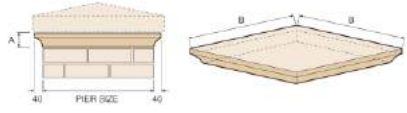
BN2 Keystone Bullseye 600mm


<p>GV1 Gable Vent 590mm x 327mm x 120mm x 50mm</p> 	<p>GF1 False Gable Vent 590mm x 327mm x 120mm x 50mm</p> 	<p>GV2 Gable Vent 740mm x 215mm x 120mm x 45mm</p> 	<p>SGV1 Small Gable Vent 365mm x 215mm x 100mm</p> 
<p>C4 Corbel 100 x 215 x 180 x 665 x 445mm</p> 	<p>C6 Corbel 100 x 140 x 105 x 665 x 445mm</p> 	<p>C8 Ogee Corbel 665 x 100 x 140</p> 	<p>C9I or R Ogee Corbel 665 x 215 x 140</p> 


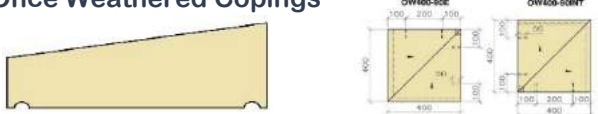


<p>JU2 Jambs / Mullions 102.5 x 100 no fixings</p> <p>740mm 890mm 1040mm 1190mm 1340mm 1490mm 2090mm 2390mm 2690mm 2990mm</p> 	<p>Wet Cast Threshold Cills 900 or 1200mm 150/100 x 75/50</p> 	<p>NS2 Datestone 290mm x 440mm x 100mm</p> 	<p>NS1 Datestone 365mm x 550mm x 100mm</p> 
	<p>Pointing Mortar Small tub Medium tub & 25 kg</p>	<p>BatBox or SwiftBox</p>  <p>440 x 215 x 100mm Does not include bat or swift motif</p>	

PIER CAPS & COPINGS


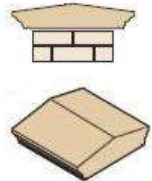
<u>Apex Pier Caps</u>		<u>Dowelled Pier Caps</u>	
			
PC11	375mm x 75/50mm Apex	PD7	375mm x 75/50mm Dowelled
PC13	525mm x 75/50mm Apex	PD8	525mm x 75/50mm Dowelled
PC1	315mm x 125/75mm Apex	PD1	315mm x 106/75mm Dowelled
PC2	425mm x 125/75mm Apex	PD2	425mm x 111/75mm Dowelled
PC3	540mm x 140/75mm Apex	PD3	540mm x 122/75mm Dowelled

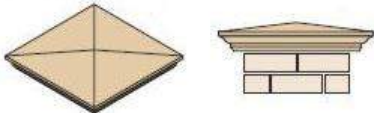
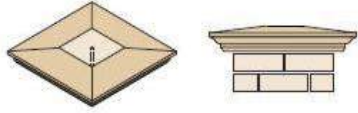
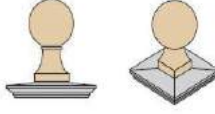
<u>Spheres</u>		<u>Bases</u>	
			
S1	228mm	PB3 Base	440/520 x 70mm
S2	305mm	PB4 Base	552/632 x 70mm

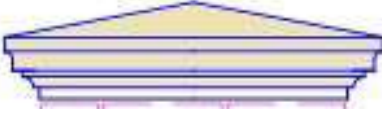
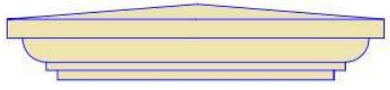
<u>Hastings Flat Top Pier Caps</u>			
			
HPC1	375/275 x 100/50mm	HPC2	525/425 x 100/50mm

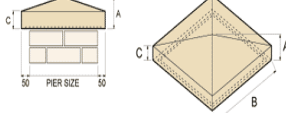
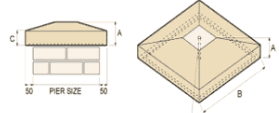
<u>Flat Copings</u>		<u>Once Weathered Copings</u>	
			
FC315-600	600 x 315 x 50mm	OW315	890 x 315 x 75/50mm
FC315	890 x 315 x 50mm	OW400/600	600 x 400 x 75/50mm
FC400	890 x 400 x 50mm	OW400	890 x 400 x 75/50mm
		OW400 UR	400 x 400 x 75/50 Universal Return
		OW450i	600 x 450 x 75/50mm
<u>Apex Copings</u>		<u>Hastings Copings</u>	
			
TW200	890 x 200 x 75/50mm	HCC1	300/200 x 600 x 50mm
TW305	890 x 305 x 75/50mm		
TW315	890 x 315 x 75/50mm		
TW400	890 x 400 x 75/50mm		

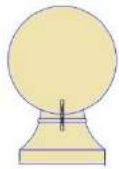
NON - STOCK ITEMS

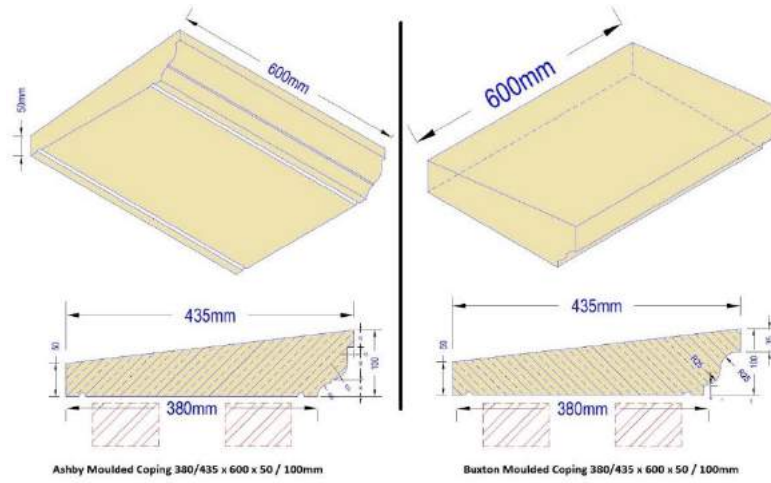
<p>Caplock Coping</p>  <p>DCC-305 890 x 305 x 103mm TWC-305 890 x 305 x 153mm</p>	<p>MTW Coping</p> <p>MTW 405 Coping 440 x405x108 MTW 405 Stop End MTW 405 Universal Return</p>  <p>MTW 470 Coping 440x470x108 MTW 470 Stop End MTW 470 Universal Return</p>
---	---

<p>MPC1 Pier Cap 2 ½ brick 740 x 740 x 108</p>  <p>MPC2 Pier Cap 2 brick 640 x 640 x 108</p>	<p>MPD1 Dowelled Pier Cap 740 x 740 x 96</p>  <p>MPD2 Dowelled Pier Cap 640 x 640 x 96mm</p>	<p>Finial Set inc S4 Sphere 664 h x 365sp x 300b</p>  <p>Finial Set inc S5 Sphere 529h x 288sp x 215b</p>
---	---	--

<p>Chatsworth Pier Caps</p> 	<p>Blenheim Pier Caps</p> 		
CDPC12	215/362 x 175mm	CDPC6	328/460 x 100mm
CDPC11	340/467 x175mm	CDPC7	440/570 x 100mm
CDPC8	450/577 x 175mm		
CDPC9	560/687 x 175mm		
CDPC10	673/800 x 175mm		

<p>Forticrete Apex Pier Caps</p> 	<p>Forticrete Dowelled Pier Caps</p> 		
PC4	650mm x 140/75mm	PD4	650mm x 125/75mm
PC5	765mm x 140/75mm	PD5	765mm x 140/75mm
PC10	300mm x 100/50mm	PD6	300mm x 100/50mm
PC12	375mm x 110/60mm	PD9	525mm x 100/50mm
PC14	525mm x 100/50mm	PD10	610mm x 75/50mm
PC15	525mm x 150/100mm		
PC16	610mm x 75/50mm		
PC17	750mm x 200/50mm		

<p>Finial (2 piece)</p> 	
SF2/300	SF3/380



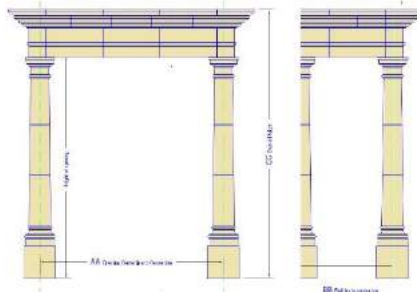
Ashby Moulded Coping 380/435 x 600 x 50 / 100mm

Buxton Moulded Coping 380/435 x 600 x 50 / 100mm

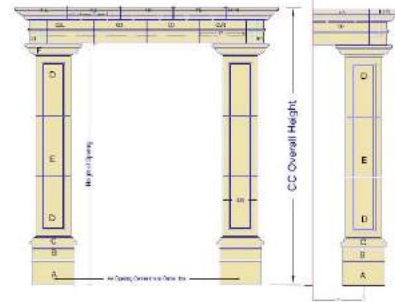
CDC5	375 x 600 x 75/50 Apex	CDCP6	320 x 135 x 600mm
CDOW	305mm x 600 x 75/50 O/W	CDCP7	325 x 150 x 600mm
MC1	300/372 x 122 x 600mm	CDCP8	300 x 150 x 600mm
CDF6	450 x 50 x 600mm Flat		
CDC7	315mm x 600 x 50 Flat		

Columns & Balustrades

CD Stone Portico

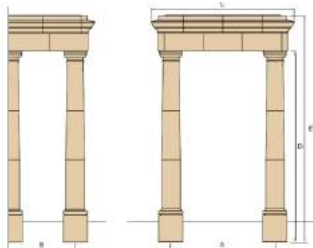


Type A Various Sizes

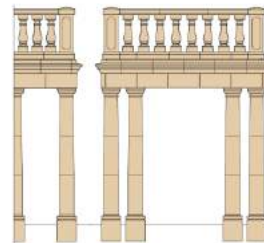


Type B Various Sizes

Forticrete

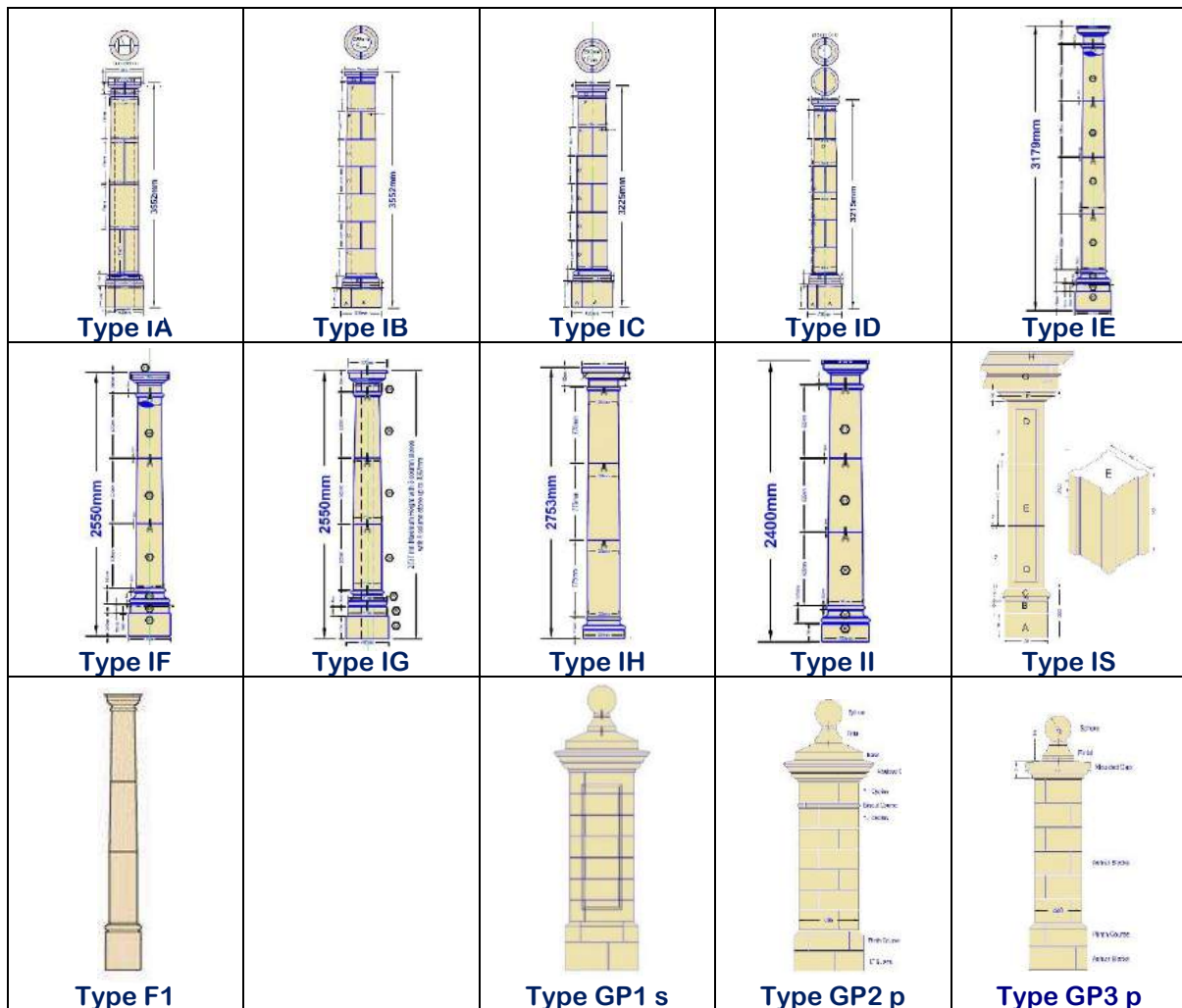


- Kit 1W 1730 x 1735 x 2390 x 3180 x 3855
- Kit 1W+HC 1730 x 1735 x 2390 x 3180 x 3855 (with half column)
- Kit 2W 2380 x 1735 x 3040 x 3180 x 3855



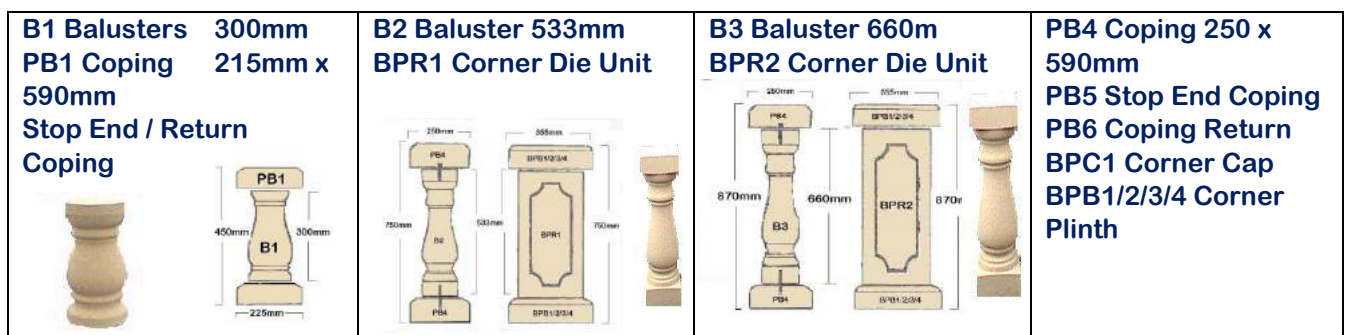
- Kit 2W+HC 2380 x 1735 x 3040 x 3180 x 3855 (with half column)
- Kit 3W 3030 x 1735 x 3690 x 3180 x 3855
- Kit 3W+HC 3030 x 1735 x 3690 x 3180 x 3855 (with half column)

Columns & Gate Posts



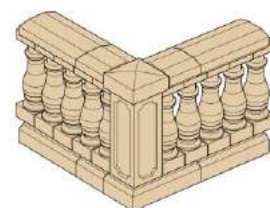
Cast Stone Balustrades

CD Stone Balustrade






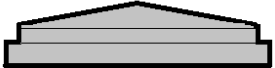
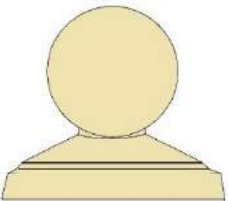


Forticrete Balustrade

P29 Balusters 750 x 215mm
PS42 Coping 150 x 665 x 350mm
PS43 Base 150 x 665 x 350mm
+ Caps, Corners etc







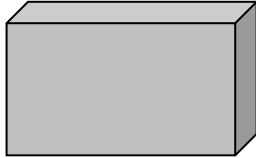
CD Stone Precast Concrete

Copings	Available in Natural Grey, Buff, Charcoal or Red
Twice Weathered 	600 x 140 x 50/30
	600 x 245 x 50/30
	600 x 300 x 50/30
	910 x 300 x 75/40
	1000 x 400 x 75/40
	1000 x 450 x 75/50
	1000 x 500 x 75/50
	1000 x 600 x 75/50
Once Weathered 	1000 x 200 x 50/35
	1000 x 250 x 75/50
	1000 x 300 x 75/50
	1000 x 360 x 80/55
	1000 x 400 x 75/50
	1000 x 450 x 75/50
	1000 x 500 x 75/50
	1000 x 600 x 100/75
Double Chamfered 	1000 x 200 x 70
	1000 x 300 x 100
	1000 x 400 x 100
Flat Copings 	1000 x 300 x 50mm
	1000 x 400 x 50mm
	1000 x 450 x 50mm
	1000 x 500 x 50mm
	1000 x 600 x 50mm
Caps	Available in Natural Grey, Buff, Charcoal or Red
Pier Caps 	300 x 300 x 75/50
	400 x 400 x 90/50
	450 x 450 x 100/50
	530 x 530 x 100/50
	600 x 600 x 100/75
	680 x 680 x 140 x 75
Colwyn Pier Caps 	400 x 400 x 140/70
	450 x 450 x 140/70
	520 x 520 x 140/70
	600 x 600 x 200/100
Pier Cap & Sphere 	400 x 400 x 480mm / 230mm
	Available in Grey, Buff or Charcoal



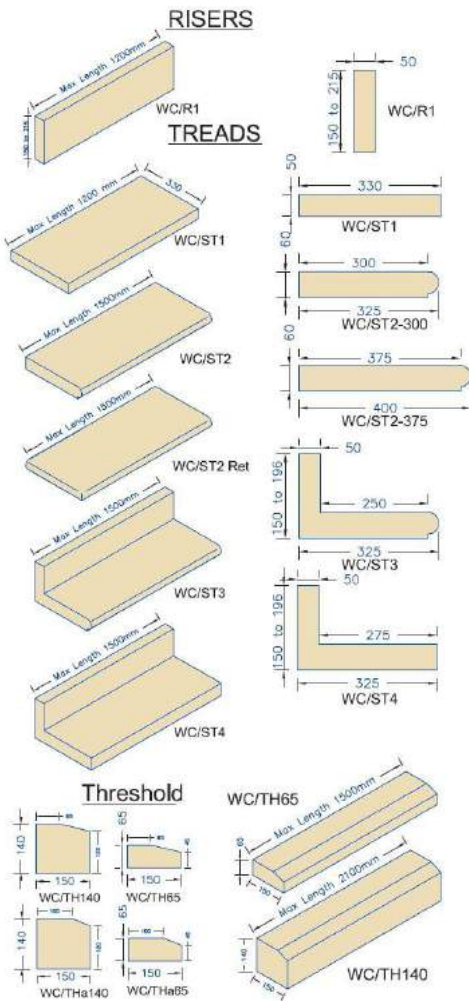
Lancashire Works *** Only Available in concrete Grey ***

Twice Weathered Coping 	2' x 5"	610 x 127 x 38 / 26
	3' x 7"	900 x 178 x 75 / 50
	2' x 11"	610 x 279 x 50 / 26
	3' x 11"	900 x 279 x 75 / 50
	3' x 14"	900 x 350 x 75 / 50
Flat Coping 	2' x 5"	610 x 127 x 38
	3' x 7"	900 x 178 x 50
	3' x 11"	900 x 279 x 50
Once Weathered Coping	3' x 12"	900 x 300 x 75 / 50
	3' x 14"	900 x 350 x 75 / 50
Apex Pier Caps 	9" x 9"	225 x 225
	12" x 12"	300 x 300
	15" x 15"	380 x 380
	16" x 16"	400 x 400
	18" x 18"	450 x 450
	21" x 21"	530 x 530
Door Steps 	3' x 12" x 6"	900 x 300 x 150
	3' 6" x 12" x 6"	1065 x 300 x 150
	4' x 12" x 6"	1219 x 300 x 150
	Bollards	4'6" x 8" / 6"

Padstones 	
	440 x 100 x 140
	300 x 100 x 140
	215 x 215 x 215
	440 x 100 x 215
	440 x 140 x 215
	440 x 215 x 215
	440 x 300 x 215
600 x 100 x 215	

Other sizes available on request

CD Stone Treads, Risers & Thresholds



Wet Cast Stone Treads, Risers & Thresholds With max lengths

WC/R1 Plain Risers
50 x 150 max 1200mm
50 x 215 max 1200mm

WC/ST1 Plain Treads
50 x 330 max 1200mm

WC/ST2 Bull Nosed Treads
60 x 325 max 1500mm
60 x 400 max 1500mm

**WC/ST3 Bull Nosed
Treads & Risers**
150mm Upstand
196mm Upstand
60 x 325mm max 1500mm

**WC/ST4 Plain
Treads & Risers**
150mm Upstand
196mm Upstand
50 x 325 max 1500mm

WC/TH65 Threshold Cills 60 or 100mm Bar
65 x 150 max 1500

WC/TH140 Threshold Cills 60 or 100mm Bar
140 x 150 max 2100

Steps Bullnose

400 x 50mm - 370 x 50mm -
300 x 50mm - 250 x 50mm
400 x 60mm - 250 x 60mm
700 x 75mm

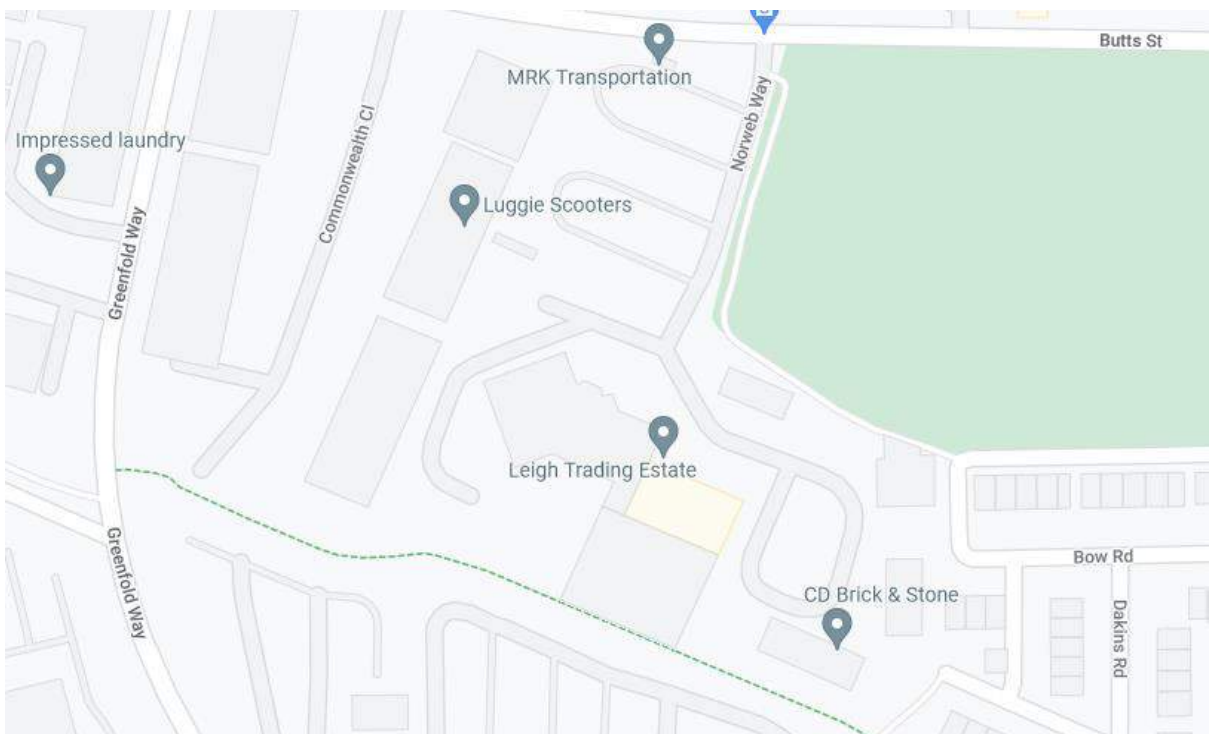
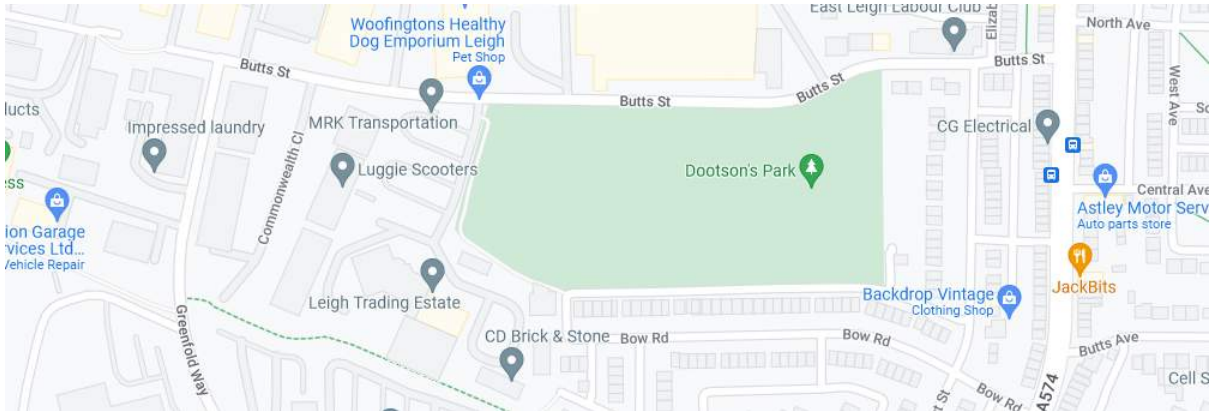
Thresholds with chamfer

150 x 140mm - 100 x 150mm -
150 x 75mm

Available in Nat Grey, Buff, Red or Charcoal



CD Brick & Stone Ltd



**Unit D2, Leigh Trading Estate,
Norweb Way, off Butts Street,
Leigh, Lancs WN7 3EQ**

Tel 0161 797 2643 e-mail sales@cdbands.co.uk